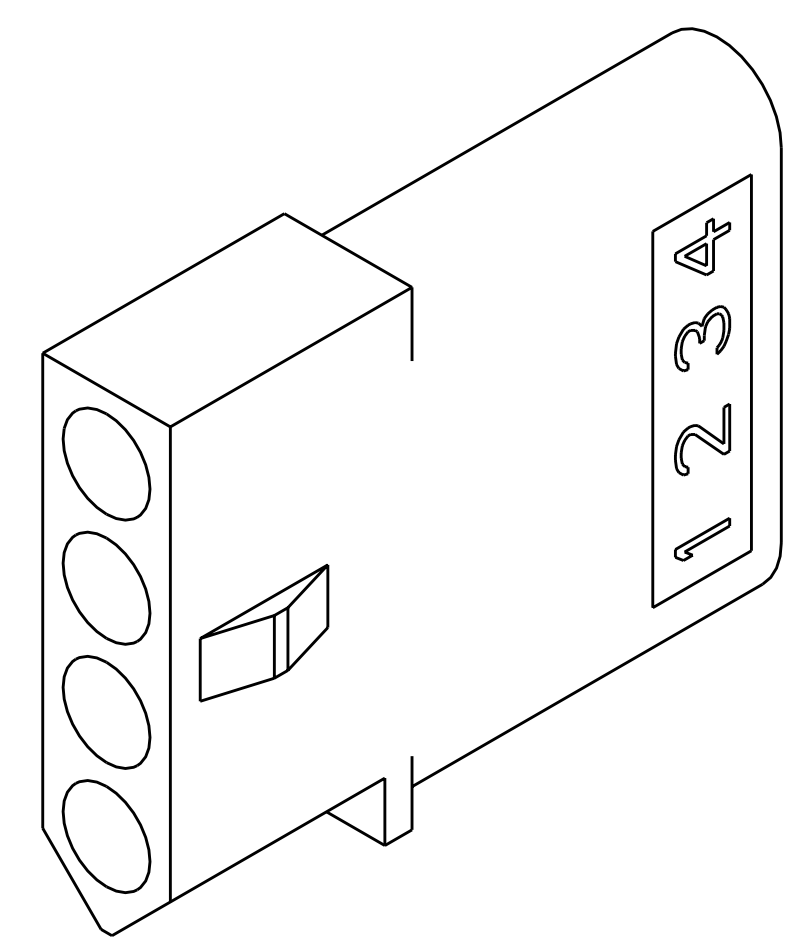
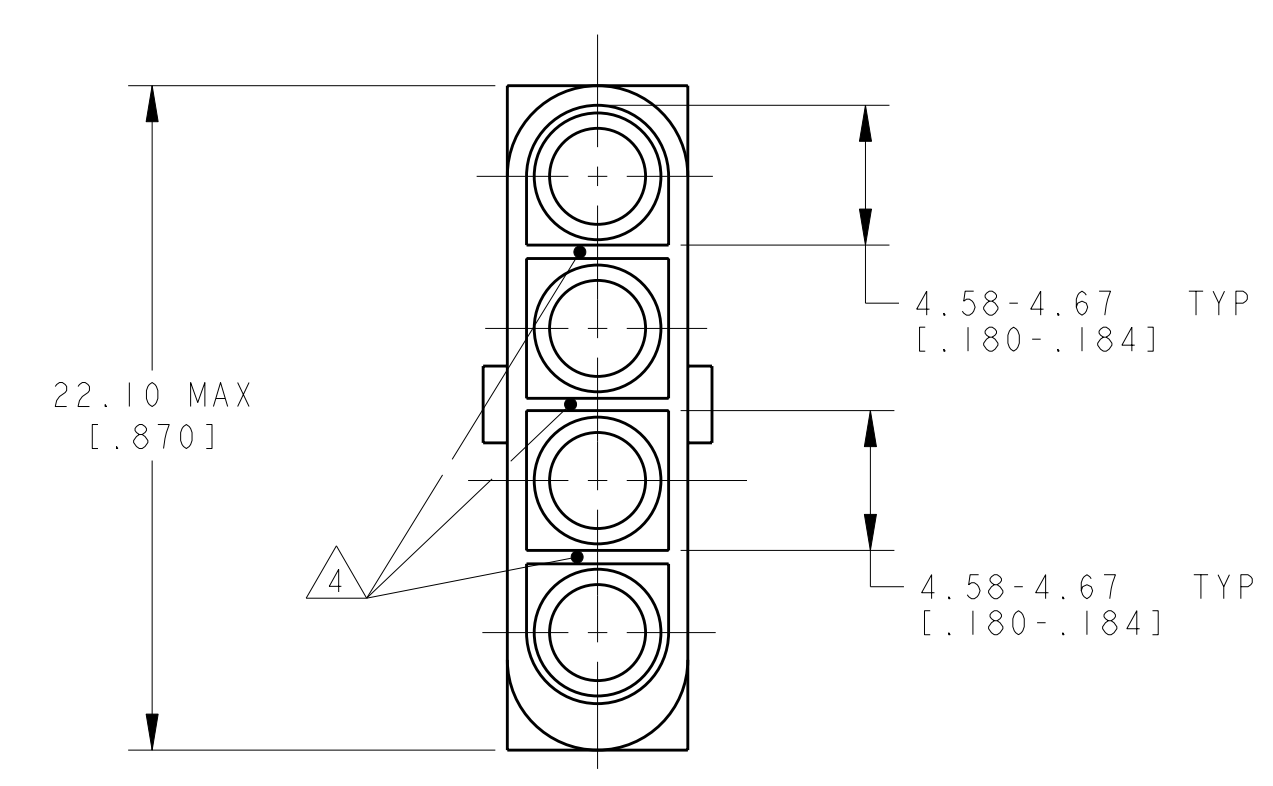
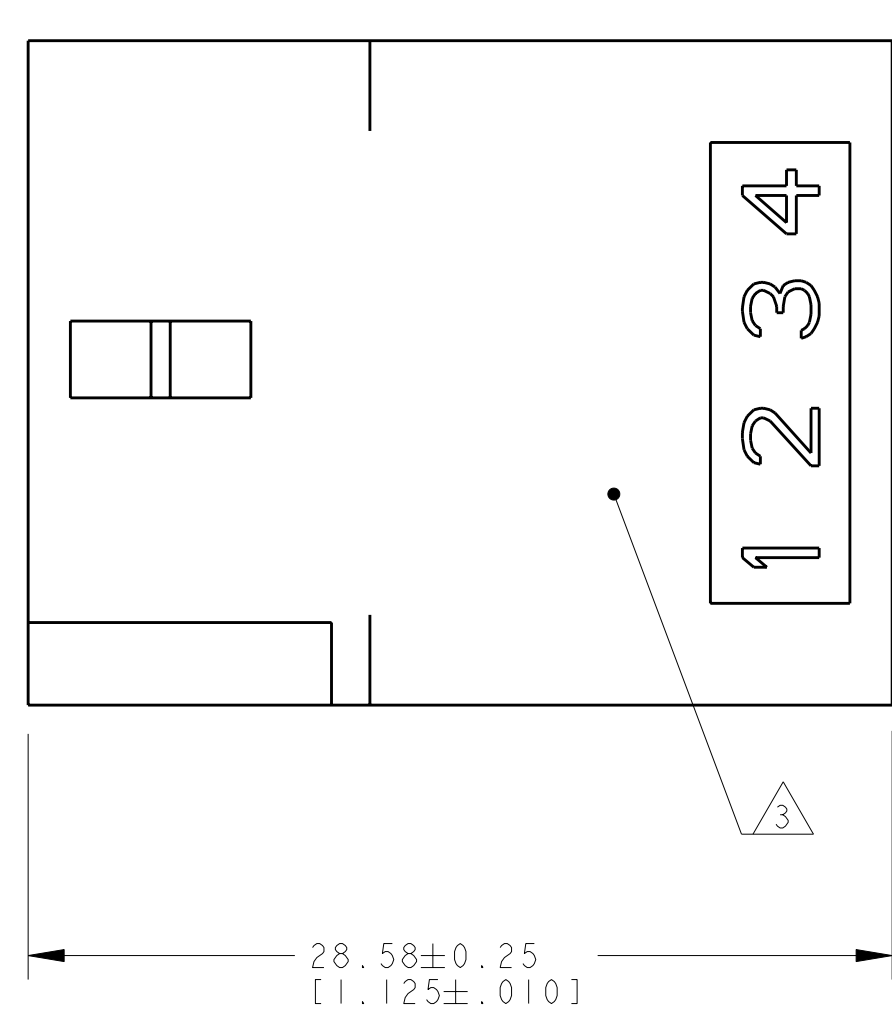
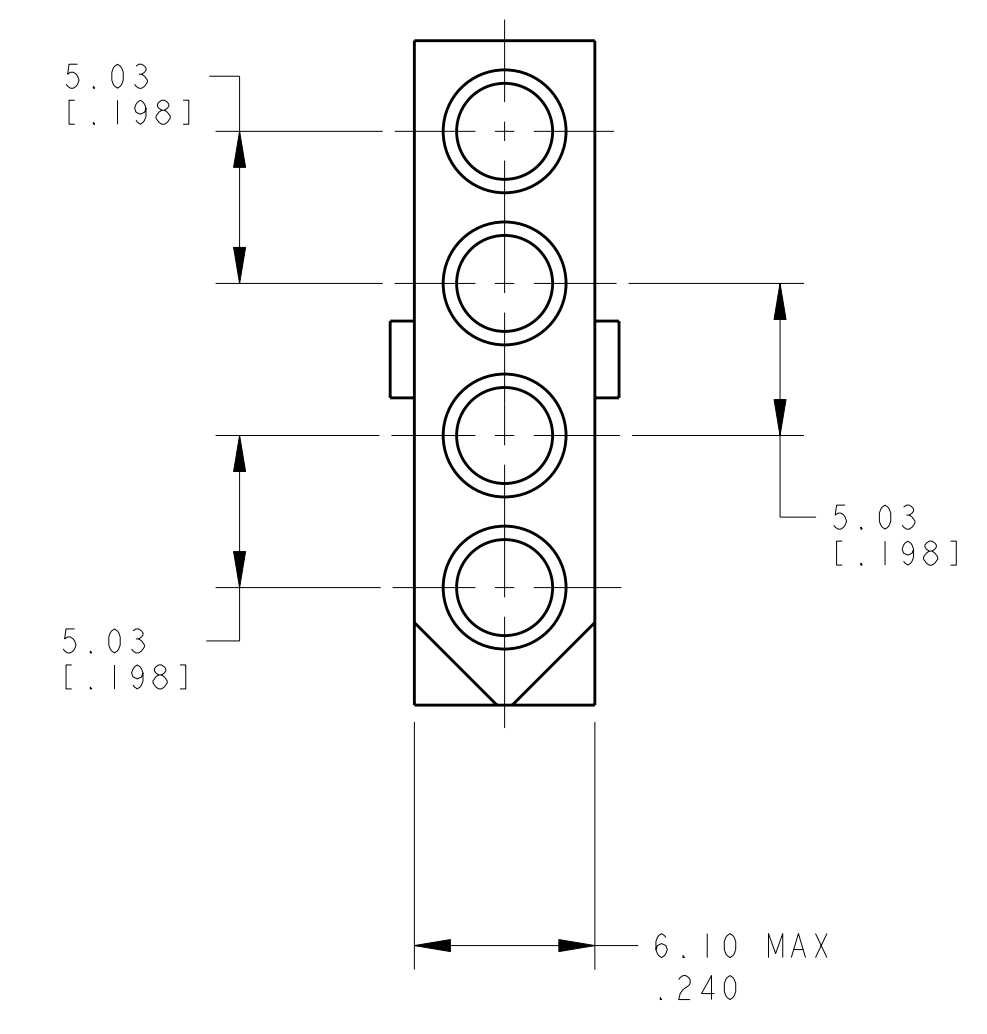


LOC		DIST		REVISIONS			
P	LTB	DESCRIPTION	DATE	DWN	APVD		
K		REVISED PER 0638-0540-04	30JUL04	KW	DC		
KI		REVISED PER ECO-06-008661	19JUL06	KW	DC		

- 1 MATERIAL: NYLON UL94V-2 (NATURAL).
- 2 MARKING FOR UL AND CSA LOGO SHALL BE LOCATED ON ANY EXTERNAL SURFACE.
- 3 AMP LOGO AND CIRCUIT NUMBERS LOCATED IN AREA, EITHER SIDE, SIZE OPTIONAL, FROST BACKGROUND.
- 4 WALL THICKNESS TO MEASURE 0.36-0.46 [.014-.018]



**METRIC**

770075-1  
 PART NUMBER

<small>THIS DRAWING IS UNPUBLISHED. RELEASED FOR PUBLICATION. THIS DRAWING IS THE PROPERTY OF TYCO ELECTRONICS CORPORATION. IT IS SUBJECT TO CHANGE WITHOUT NOTICE AND WITHOUT OBLIGATION. SHOULD BE CONTACTED FOR THE LATEST REVISION.</small>		DWN: R. WHITAKER 02AUG2004 CHK: D. COLEY 02AUG2004 APVD: D. COLEY 02AUG2004	Tyco Electronics Harrisburg, PA 17105-3608
DIMENSIONS: mm [INCHES] TOLERANCES UNLESS OTHERWISE SPECIFIED: 9 PLC ± 8 PLC ± 5 PLC ±0.13 (1.005) 4 PLC ± ANGLES ±40° 30'		PRODUCT SPEC APPLICATION SPEC WEIGHT FINISH	NAME: RECEPTACLE, 4 CIRCUIT, .093 COMMERCIAL PIN AND SOCKET SIZE: A   00779   C=770075 RESTRICTED TO:
MATERIAL: NYLON UL94V-2 (NATURAL)		CUSTOMER DRAWING	SCALE: 4:1 SHEET 1 OF 1 REV: KI